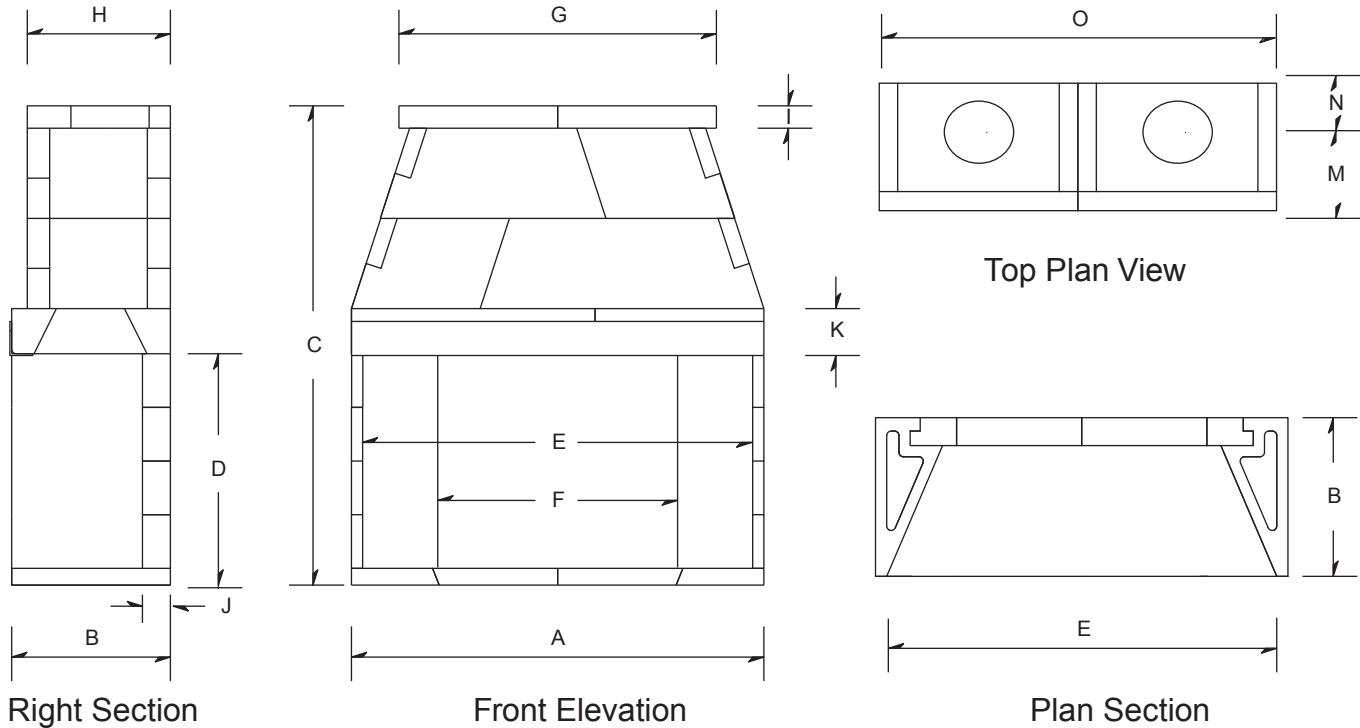


# Magnum 60,72



Model	A	B	C	D	E	F	G	H	I	J	K	M	N	O
60"	73 1/2"	28"	85 3/4"	41"	69"	57 1/4"	55 1/2"	25 1/4"	4 3/4"	5"	8"	16"	12"	55 1/2"
72"	85 1/2"	28"	85 3/4"	41"	81 1/4"	69 3/4"	65 1/2"	25 1/4"	4 3/4"	5"	8"	16"	12"	65 1/2"

Minimum Framing	Weight
76 1/2" W x 87 1/2" H x 29 1/2"	2500 lbs.
88 1/2" W x 87 1/2" H x 29 1/2"	2900 lbs.