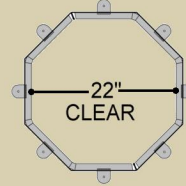


4'-0"

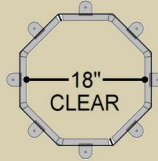
2'-0"

**KING**  
 EC-O-2447-1

One of our larger chimney pots, the King has an octagonal shape, making an impressive statement for your home.



45 lbs.



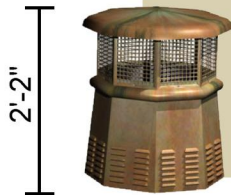
32 lbs.

The Queen is a slightly smaller scale than the King in weight and height. Same octagonal shape and vent design.



3'-5"

1'-8"  
**QUEEN**  
 EC-O-2039-1

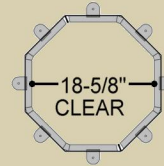


2'-2"

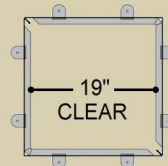
1'-8"

**PAWN**  
 EC-O-1924-1

Our smallest chimney pot, the Pawn makes a nice addition to chimneys that are small in scale. Great for outdoor fireplaces.



21 lbs.



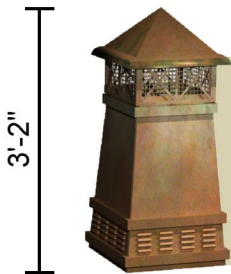
40 lbs.

Eye-catching square shape with "X" grid design and pyramid top.



3'-8"

1'-9"  
**KNIGHT**  
 EC-SQ-2144-1

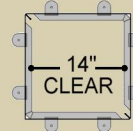


3'-2"

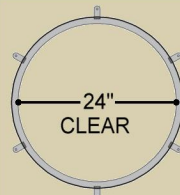
1'-4"

**KNIGHT II**  
 EC-SQ-1633-1

A smaller version of the Knight, the Knight II is ideal for smaller homes.



28 lbs.



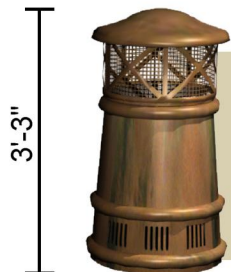
46 lbs.

Round in shape, the Bishop replicates the shape of standard clay pots, without the weight and decay and is a great fit for more contemporary style homes.



4'-4"

2'-2"  
**BISHOP**  
 EC-R-2649-1

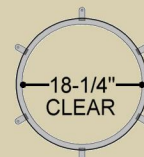


3'-3"

1'-8"

**BISHOP II**  
 EC-R-2036-1

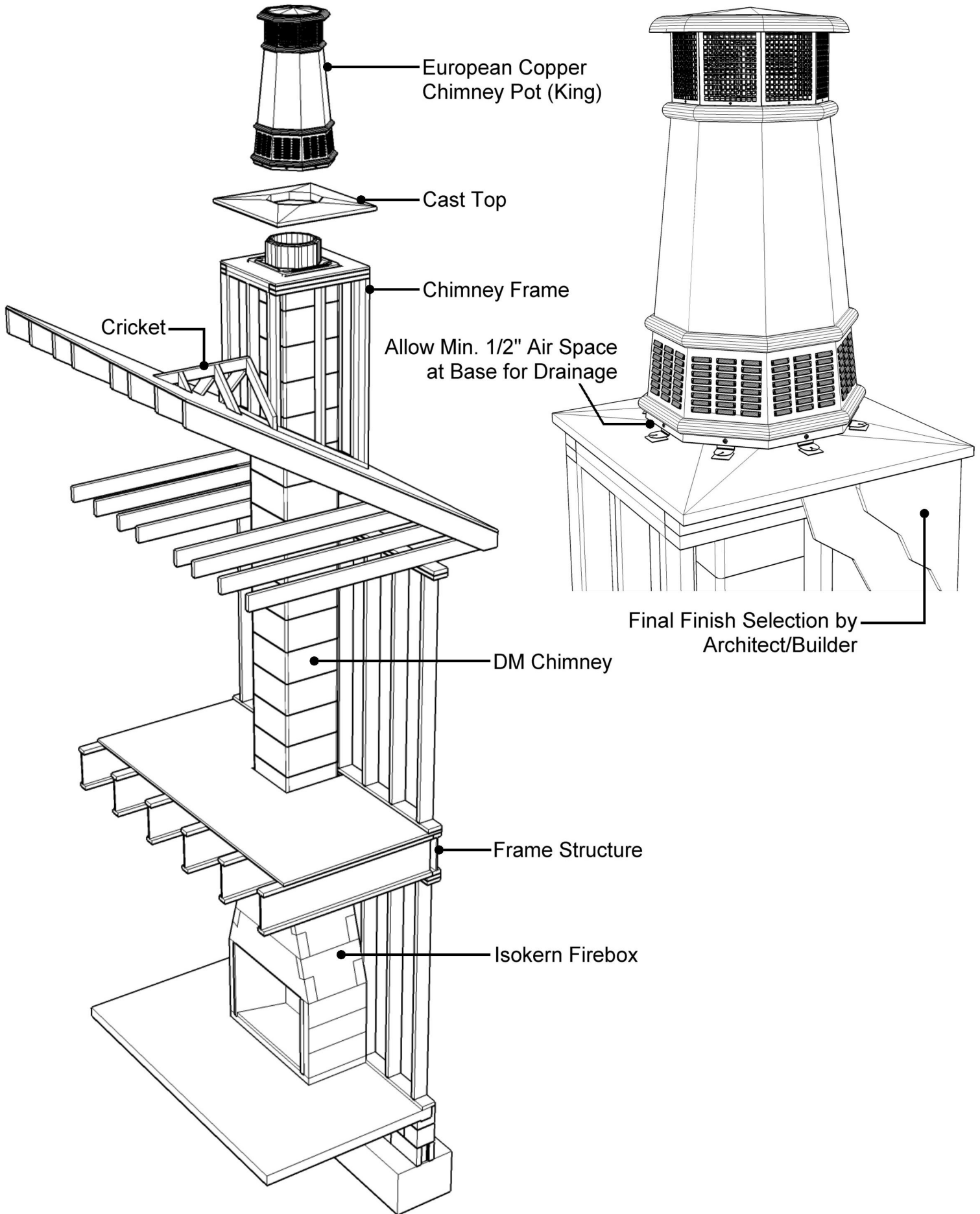
A smaller version of the Bishop, the Bishop II is ideal for smaller homes.



41 lbs.

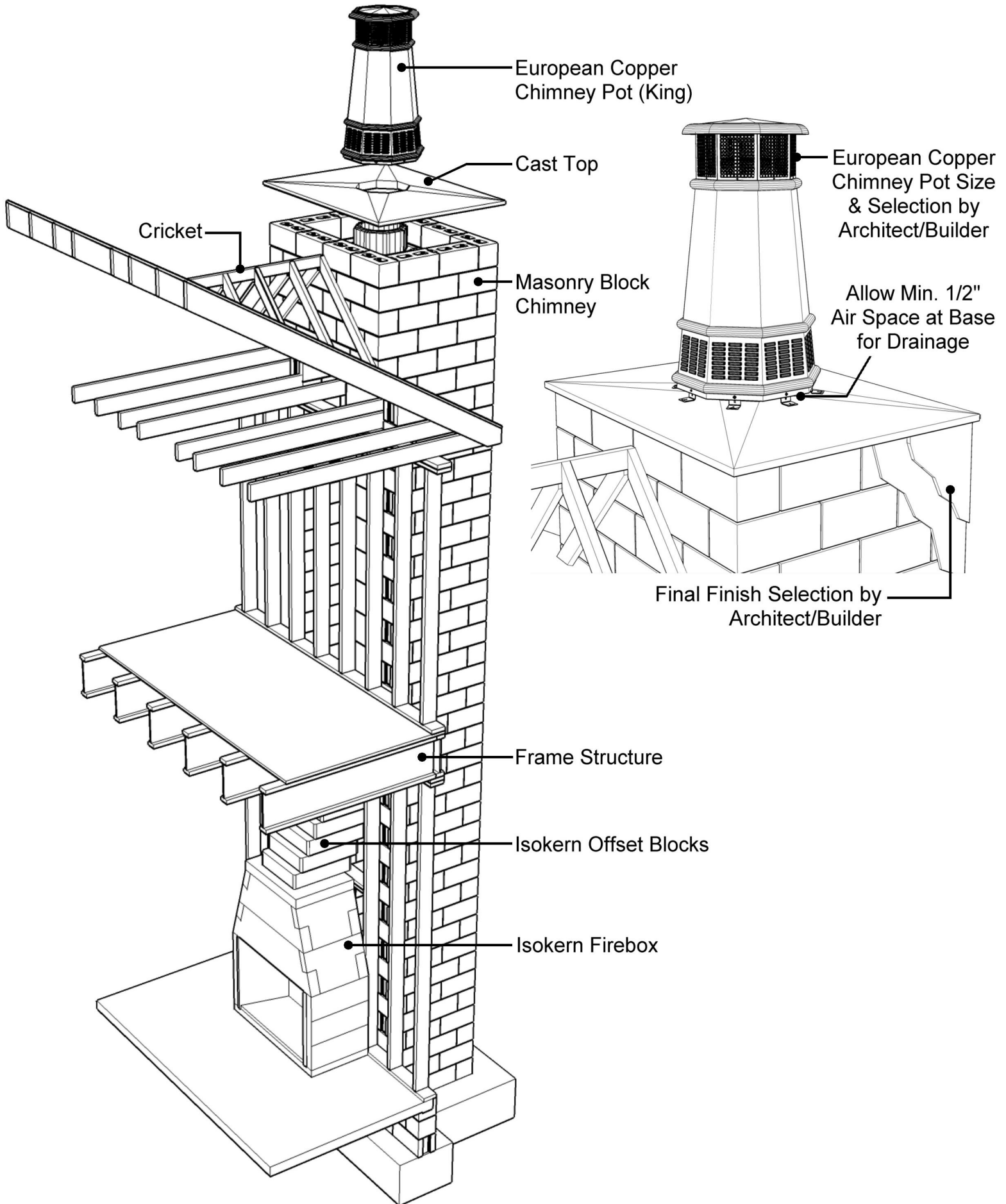
# DM Chimney with "King" chimney pot

For detailed installation instructions visit our website at [www.europeancopperchimney pots.com](http://www.europeancopperchimney pots.com)



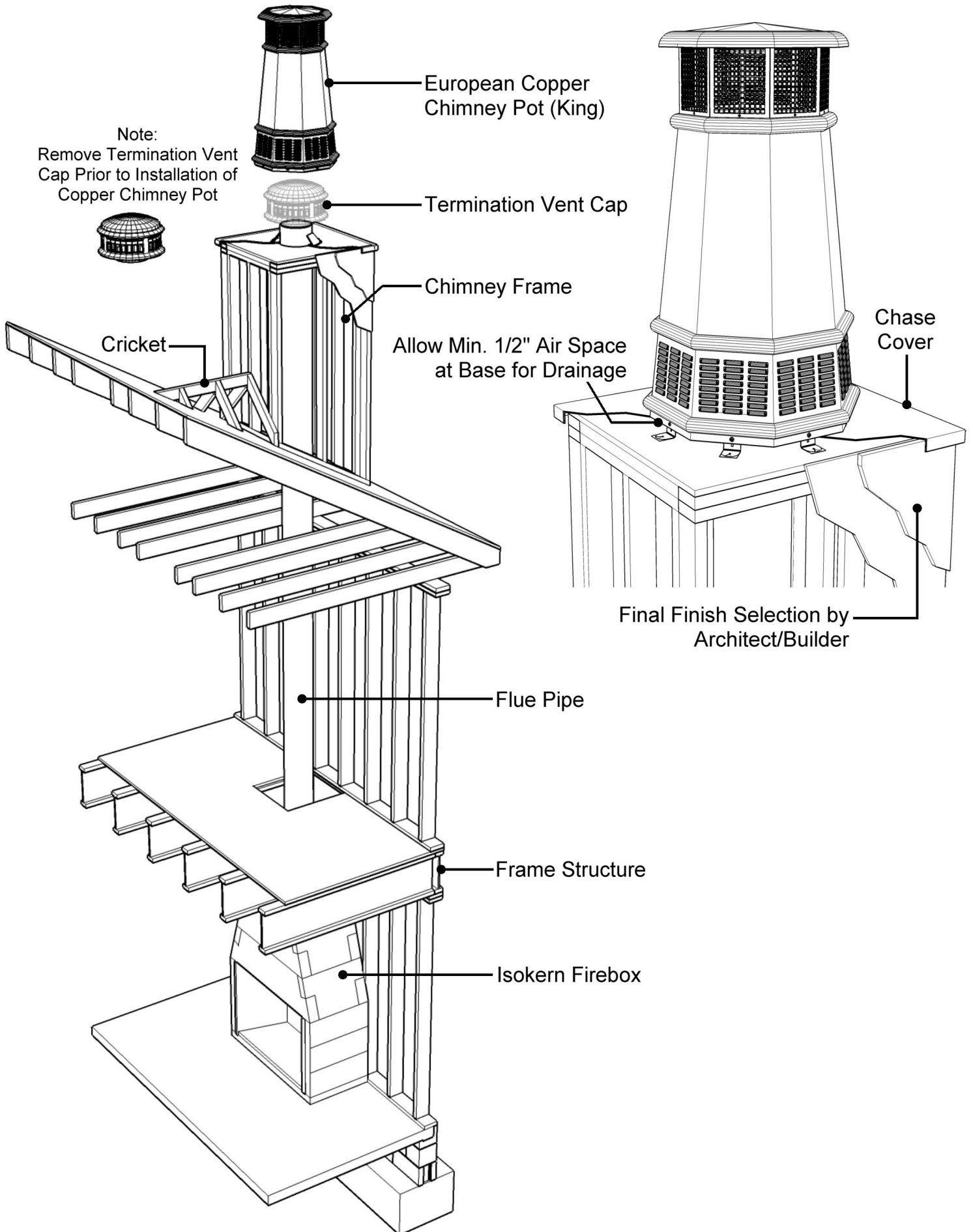
# DM Masonry Chimney with "King" chimney pot

For detailed installation instructions visit our website at [www.europeancopperchimney Pots.com](http://www.europeancopperchimney Pots.com)



# Standard Series with metal chimney

For detailed installation instructions visit our website at [www.europeancopperchimneypots.com](http://www.europeancopperchimneypots.com)



# OUR CHIMNEY POT DOES IT ALL.

REVOLUTIONARY DESIGN IS UL-LISTED, OMNI CERTIFIED FOR ALL TYPES OF FLUES AND VENTS.

Never has one product covered so many types of flues so beautifully. With a patented, UL-listed and OMNI certified chimney pot from European Copper, all unsightly vents and flues can now have a uniform, flawless finish.



MASONRY FLUE



B-VENT



DIRECT VENT and/or B-VENT



ZERO CLEARANCE



PLUMBING VENT



## INSTALLATION IS EASY.

With just a few simple steps, our chimney pots are easily installed over existing flues. As opposed to heavy clay or iron chimney pots, you don't need a crane or other construction equipment to install our pots, but do use appropriate precautions. Installation information is included with each chimney pot, and is also available at [www.europeancopperchimney pots.com](http://www.europeancopperchimney pots.com).





## COPPER CHIMNEY POT FEATURES.

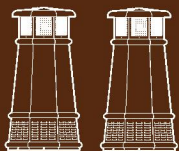
A patented European Copper chimney pot meets the highest possible technical standards through its UL-listing and compliance with International Building Codes. We know you'll agree that a finer chimney pot simply does not exist.

## RIGHT ONE FOR THE CHIMNEY HEIGHT.

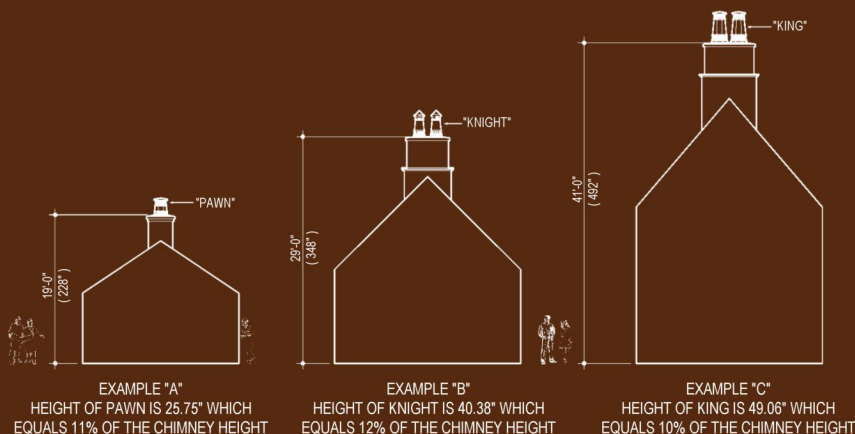
A chimney pot from European Copper provides the finishing touch a fine chimney deserves. Viewed from ground level, a chimney pot can appear too small if not sized properly. For the best aesthetic results, we recommend selecting a chimney pot that is approximately nine to 15 percent of the overall chimney height. You can see from the installation photos (previous page) how the scale of the chimney pots compare to the height of our installers. Don't make the mistake of choosing a pot that's too small for your chimney.

## AT A GLANCE.

- PATENTED AND UL-LISTED
- OMNI CERTIFIED
- MADE OF FINEST QUALITY COPPER
- SUSTAINABLE MATERIALS, 100% RECYCLABLE
- CRADLE-TO-CRADLE GOLD CERTIFIED
- SUITABLE FOR BOTH MASONRY AND PRE-ENGINEERED FIREPLACES
- DESIGNED TO WITHSTAND HURRICANE - LEVEL WINDS
- LIGHT-WEIGHT, FLEXIBLE MATERIALS HOLD UP IN EARTHQUAKE-PRONE AREAS
- CAN WITHSTAND EXTREME HEAT AND COLD
- KEEPS OUT PESTS AND WATER
- IMPROVES DRAFT OF CHIMNEY
- LIGHT-WEIGHT, EASY TO INSTALL



9-15% OF OVERALL CHIMNEY HEIGHT

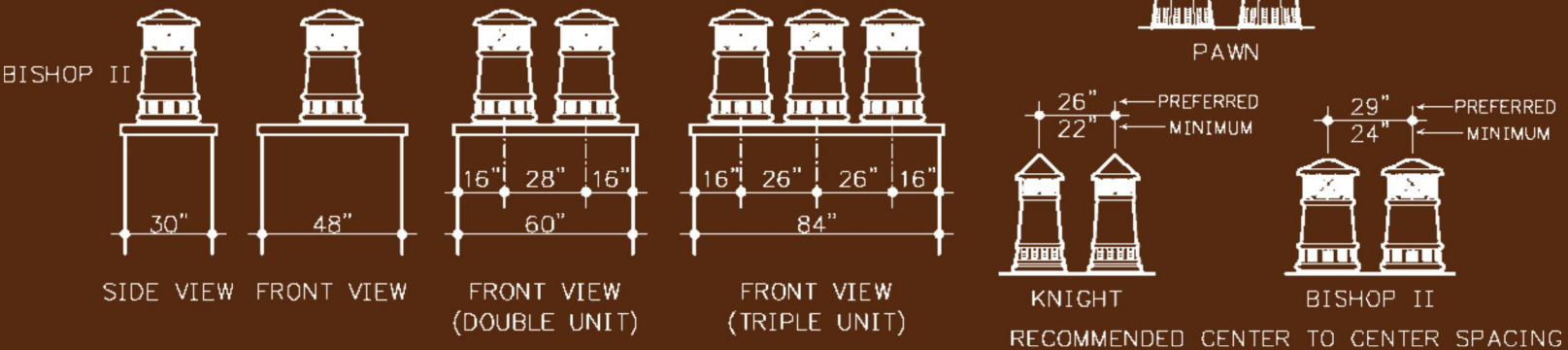
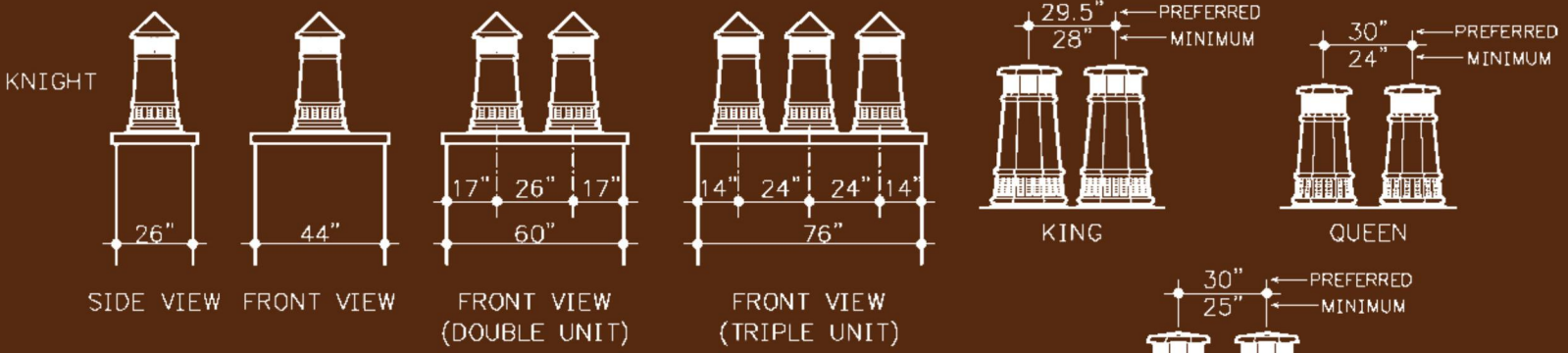
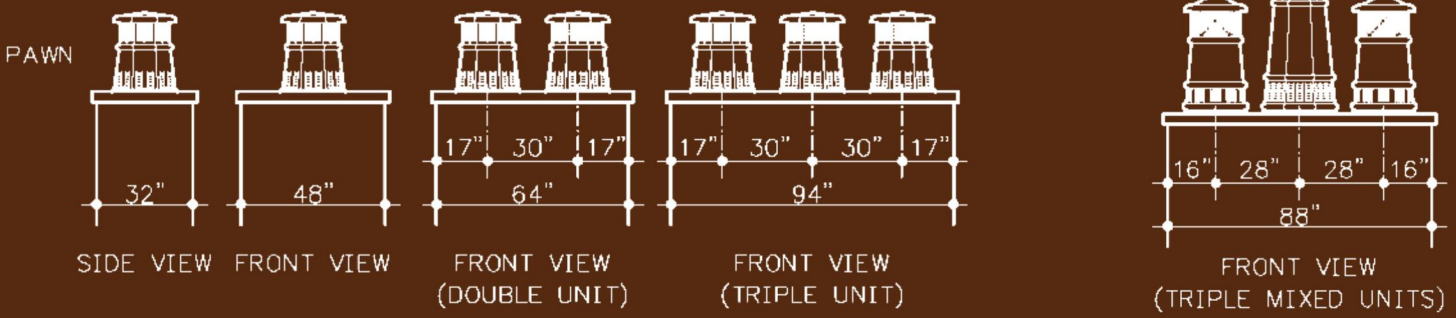
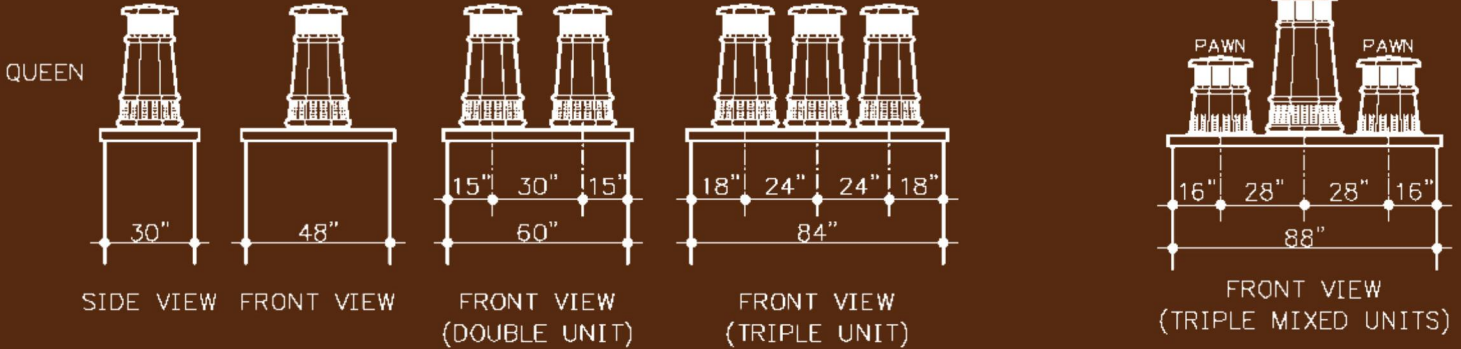
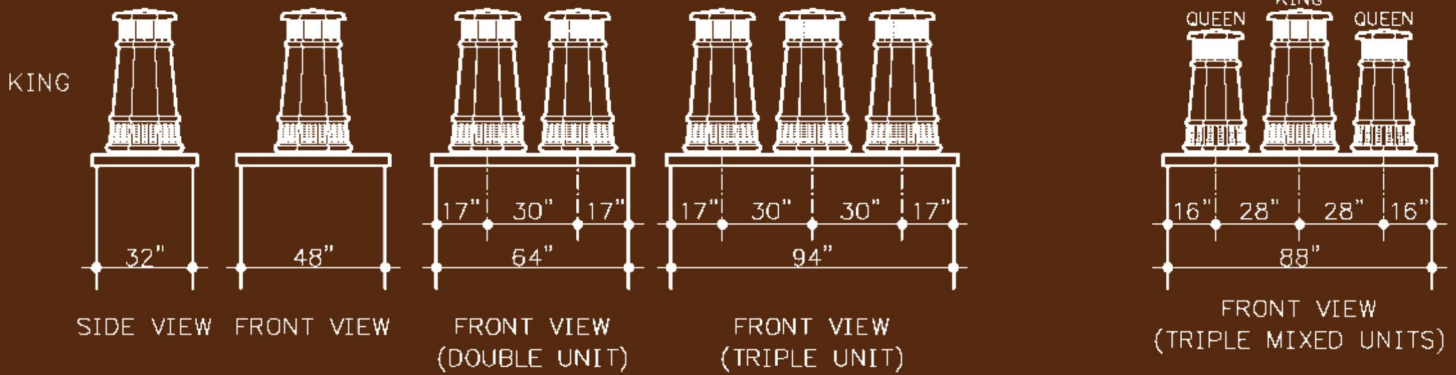


## MASONRY OR STEEL, WE HAVE IT COVERED.

Our copper chimney pots are unique in that they are compatible with both masonry and pre-engineered fireplaces, giving you more options and a consistent quality look for homes featuring more than one type of fireplace.



# RECOMMENDED SELECTIONS BASED ON CHIMNEY SIZE



RECOMMENDED CENTER TO CENTER SPACING



**CONTENTS:** (Includes 1 extra set of fasteners)

- (1) Chimney Pot w/ detached Rain Cap/Spark Arrestor
- (10) Screws for securing Rain Cap/Spark Arrestor
- (9) Slotted Mounting Brackets
- (9) Nylon Lock Nuts
- (9) Carriage Bolts
- (9) Washers
- (9) 2" Square Vinyl Flashing Gaskets

# KING installation instructions

## for standard fireplace & DM chimney systems

You must check with your local building code agency before you begin installation to ensure compliance with local codes, including the need for permits & follow-up inspections.

**CAUTION**

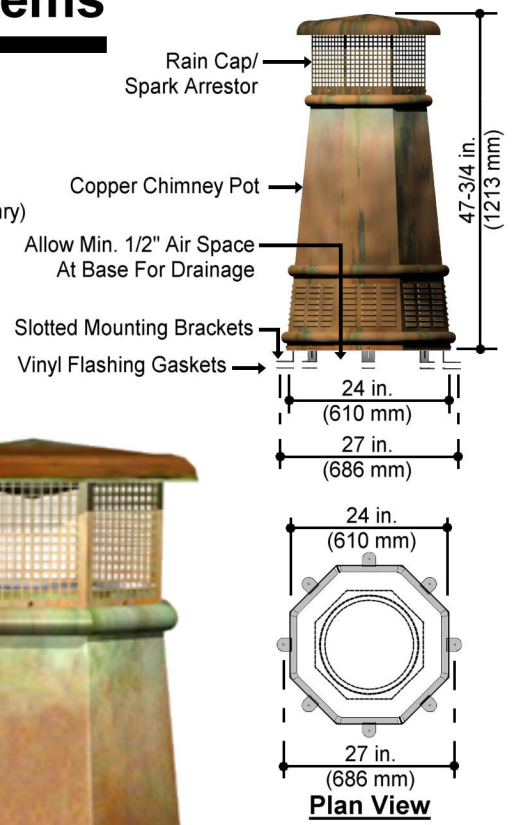
**Sharp Edges**

- Wear protective gloves, head gear, and safety glasses during installation.

**WARNING**

**Fire Risk**

- Intended for use with a metal (or masonry) chase top.
- Use of combustible materials will cause a fire hazard.



**Step 1**

- Attach rain cap/spark arrestor to chimney pot using all (9) screws as illustrated. (Note: on some models, the rain cap/spark arrestor comes pre-installed.)

**Step 2**

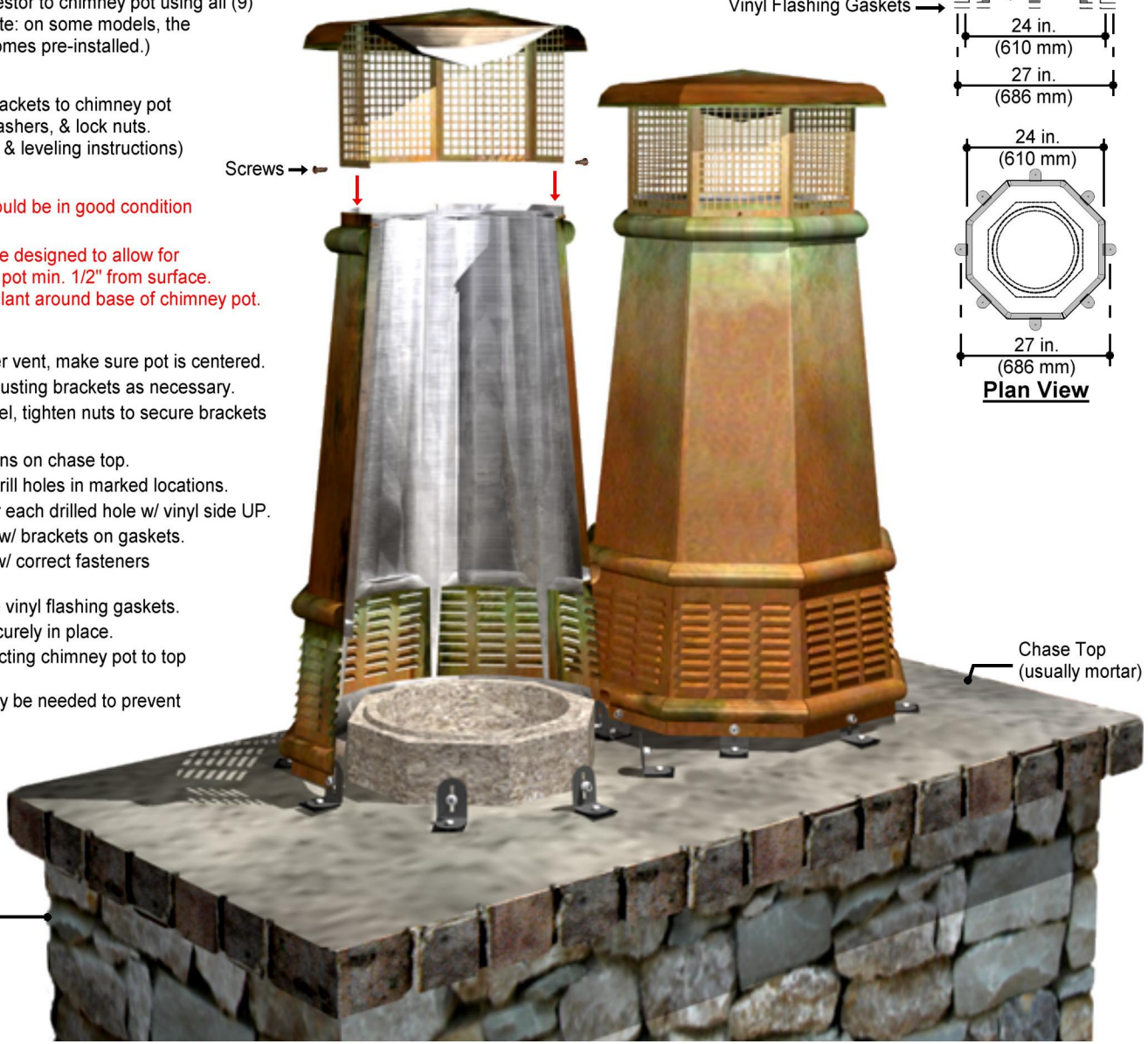
- Attach all (8) mounting brackets to chimney pot base w/ carriage bolts, washers, & lock nuts. (See step 3 for tightening & leveling instructions)

**NOTE:**

- The mounting surface should be in good condition before installation begins.
- The mounting brackets are designed to allow for drainage. Mount chimney pot min. 1/2" from surface. **DO NOT** add grout or sealant around base of chimney pot.

**Step 3**

- Position chimney pot over vent, make sure pot is centered.
- Level chimney pot by adjusting brackets as necessary.
- When chimney pot is level, tighten nuts to secure brackets in place.
- Mark bracket hole locations on chase top.
- Remove chimney pot & drill holes in marked locations.
- Set flashing gaskets over each drilled hole w/ vinyl side UP.
- Set chimney pot in place w/ brackets on gaskets.
- Anchor pot to chase top w/ correct fasteners (see attached list)
- Fasteners will puncture vinyl flashing gaskets.
- Tighten each fastener securely in place.
- Caulk all fasteners connecting chimney pot to top of chimney.
- Periodic re-caulking may be needed to prevent leaks from developing.



**RECOMMENDED FASTENERS**

CHIMNEY TOP	FASTENER
MASONRY	1/4" Stainless steel concrete wedge anchor or metal hit anchor
SHEET METAL	1/4" Stainless steel toggle bolt

Anchors to resist a withdrawal force of 580# max.

View at chimney top



Use all safety precautions when installing chimney pots (i.e. Scaffolding, power lifts, harness, etc.) Ladders only are not recommended.

# EUROPEAN COPPER

BY JACK ARNOLD

European Copper Chimney Pots is pleased to announce that we are approved for every termination Isokern currently uses



Standard Fireplace  
& DM Chimney Systems



HEARTH PRODUCTS



SECURITY CHIMNEYS  
INTERNATIONAL™

FTF-8 thru FTF-13  
all gas / 10" B-Vent



16" and smaller



Platinum Series  
UTL/GTL  
18" and smaller

